

4" 95 PR3 95 PRX3 95 PRG3



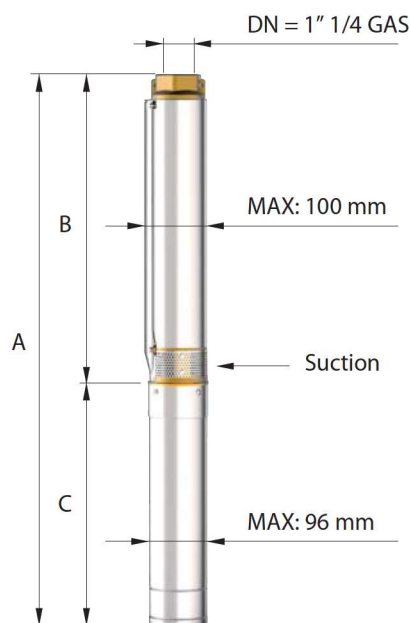
CARATTERISTICHE IDRAULICHE - HYDRAULIC PERFORMANCES

Q= Portata - Capacity - Debit **50 Hz n= 2900 min**

Tipo Type	Power		V230 Single Phase		V400 Three Phase A	H(m)									
	kW	HP	A	µF		l/min	0	20	30	40	50	60	70	80	90
						l/sec	0	0,33	0,50	0,67	0,83	1	1,17	1,33	1,50
95 PR3 N/07	0,55	0,75	4,9	20	1,7	0	1,2	1,8	2,4	3,0	3,6	4,2	4,8	5,4	
95 PR3 N/10	0,75	1	6,5	30	2,2	46	46	44	41	37	32	27	20	12	
95 PR3 N/14	1,1	1,5	9,4	40	3	66	65	63	59	53	46	38	28	18	
95 PR3 N/20	1,5	2	11,5	50	4	93	91	88	82	74	65	53	39	25	
95 PR3 N/29	2,2	3	14,7	75	5,7	133	130	126	118	106	93	76	56	35	
95 PR3 N/39	3	4	-	-	7,4	192	189	183	170	154	134	111	82	51	
95 PR3 N/52	4	5,5	-	-	10	258	254	246	229	207	180	149	110	68	
						345	338	328	306	276	241	198	146	91	

DIMENSIONI D'INGOMBRO E PESI - OVERALL DIMENSIONS AND WEIGHTS

Type	A mm Single Phase V 230	A mm Three Phase V 400	B mm	C mm Single Phase V 230	C mm Three Phase V 400	M Kg Single Phase	M Kg Three Phase	P Kg
95 PR3 N/07	701	681	364	337	317	8	8	4
95 PR3 N/10	792	767	430	362	337	10	10	5
95 PR3 N/14	910	880	518	392	362	12	12	6
95 PR3 N/20	1072	1042	650	422	392	13	13	7
95 PR3 N/29	1315	1300	848	467	452	15	15	10
95 PR3 N/39	-	1625	1068	-	557	-	19	12
95 PR3 N/52	-	1951	1354	-	597	-	22	16



Versioni disponibili
Available versions
Versions disponibles
Versiones disponibles



95 PR
Gabbia di aspirazione e mandata in ottone
Suction cage and delivery bowl in brass



95 PRX
Gabbia di aspirazione e mandata in AISI 304 microfuso
Suction cage and delivery bowl in AISI 304 casted



95 PRG
Gabbia di aspirazione e mandata in ghisa con trattamento di cataforesi
Suction cage and delivery bowl in cast iron with CED (Cathode Electro Deposition)

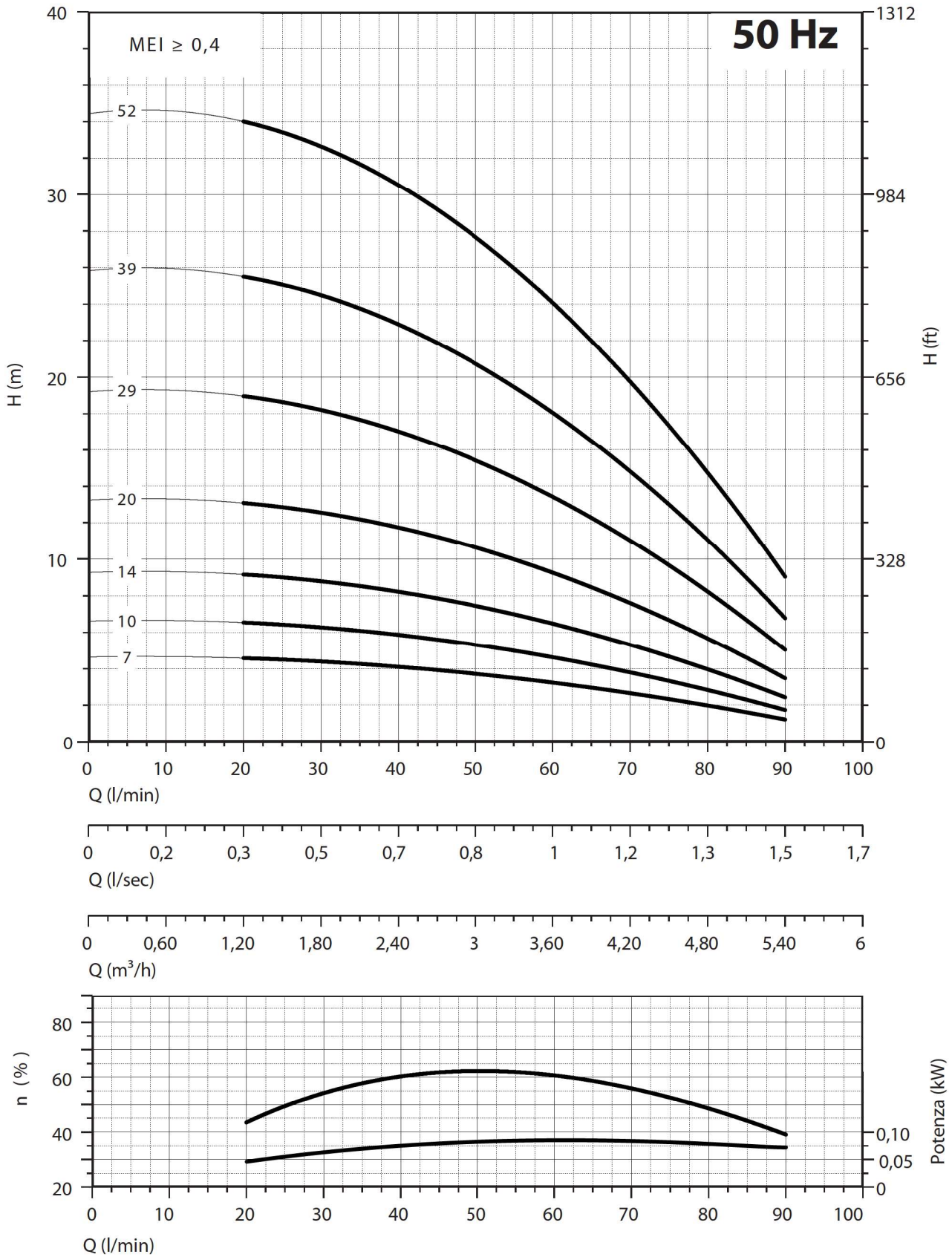
n% = Rendimento della pompa
n% = Rendement de la pompe
n% = Pump efficiency
n% = Rendimiento de la bomba

Max 64%

kW/st = Assorbimento per stadio
kW/st = Absorption par étage
kW/st = Stage absorption
kW/st = Potencia absorbida por etapa

Max 0,076

Tolleranze secondo UNI ISO 9906 livello 3B - Tolerances according to UNI ISO 9906 grade 3B



NPSH (m)			25%	50%	75%	100%
95 PR 3	95 PRX 3	95 PRG 3	2	2	2,5	3,2